



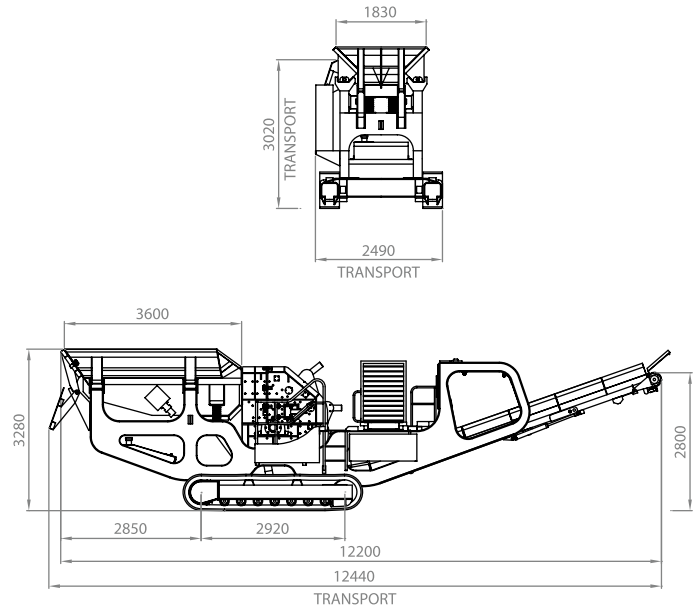
HS907

Tracked Impact Crusher



Quality Engineered
Excellence Since 1911

Parker Tracked Impactor HS907



Vibrating Grizzly Feeder

Feeding the materials into the impact crusher and/or fines chute is a Parker vibrating grizzly feeder including:-

Vibrating Unit

Twin shaft exciter is mounted under the rear of the vibrating feeder. They are driven by a single hydraulic motor and produce a forward linear motion.

Pan

The feeder floor is fitted with Hardox 400 bolted replaceable wear liners. These extend the quality and life of the feeder.

Grizzly Section

The grizzly section is a double step grizzly that is easily removed.

Feed Hopper

The feed hopper is manufactured from mild steel and is fitted with Hardox 400 liners. To raise and lower the wings, hydraulic cylinders are used to bring the travelling height down to a minimum and allow for maintenance to the vibrating feeder.

Track Frame

The track is manufactured from heavy-duty frame steel having 2.7m longitudinal centres along with 400mm wide tracks as a standard with an overall track width of 2.50m.

Forward Product Conveyor

The forward conveyor or main conveyor is a 900mm wide, troughed belt conveyor with a fixed tail section and a discharge height of 2.5m. The belt is driven via a hydraulic drive motor.

Side Discharge Conveyor

500mm wide giving a discharge height of approximately 1.6m. The belt is driven via a hydraulic drive motor. The side discharge dirt conveyor is hydraulic folding. (Optional)

Fines Transfer Chute

Fitted beneath the vibrating grizzly is the fines transfer chute. This chute transfers the material passing the grizzly bar setting onto either the forward product conveyor or the side discharge conveyor. Material can also be blended if required.

Magnet

A magnetic cross-belt separator is suspended over the on-plant product conveyor and is complete with permanent magnet and a hydraulic drive (Optional).

Powerpack

CATERPILLAR model 3126TA engine with electronic governing and emission control powers the plant. Rated at 165Kw @ 2200 rpm designed to drive the impactor via a KPTO transmission.

Extra Heavy Duty Rotor

Parker Impact Crushers incorporate heavy-duty open disc style rotors with four blow bars as a standard. Absorbing energy generated by impacting forces is the key to success in crushing large feed sizes. Providing high inertia ensures optimum crushing is achieved. The rotor is supported by bearings mounted in suitable solid housings manufactured from steel blocks with self-purging labyrinth seals.

Hydraulic Impact Arms

Impact plates are identical cast blocks that are interchangeable, thereby permitting optimum utilization. Gap settings between impact arm and rotor are adjusted via hydraulics to allow the product size to be controlled. Hydraulic pressure on the impact arms is pre-set to resist the passage of uncrushed material through the impactor. If overloading, power failure, etc, causes material to exceed the pre-set pressure the impact arms retract in a controlled manner. Following completion of the retraction movement, the arm returns to its set gap position.

Options

Special features are available depending on the client's requirements. A few examples:

- A conveyor weigh scale
- Extending hydraulic hopper wings
- Side conveyor
- Variable feed configuration for the crusher for secondary / tertiary applications
- Engine fire suppression
- Dust suppression
- Optimax feed controller

NOTE: Capacities quoted are intended as a guideline only, and are based on a clean, dry graded continuous feed material (weighing 1600kg/m³ (100lb/ft³) and a S.G. of 2.7 average), which will readily enter the crusher feed opening without obstruction. Actual capacities can vary considerably from those given, due to the following application and operational factors: 1) **MATERIAL** - Friability & Toughness, 2) **FEED CONDITIONS** - Grading of feed size (Compliance with Euro STD), 3) **INSTALLATION** - Method of feeding, Removal of under size. [Operation at settings outside those stated should be referred to the works].

Parker Plant Limited, Viaduct Works, Canon Street, Leicester, LE4 6GH, United Kingdom

T: +44 (0) 116 266 5999 F: +44 (0) 116 266 4422 W: www.parkerplant.com E: sales@parkerplant.com

All reasonable steps have been taken to ensure the accuracy of this publication. However, due to our policy of continual product development, Parker Plant Limited reserve the right to change details without prior notice. All machines supplied in accordance with our standard conditions. Illustrations and photos may show optional equipment.