



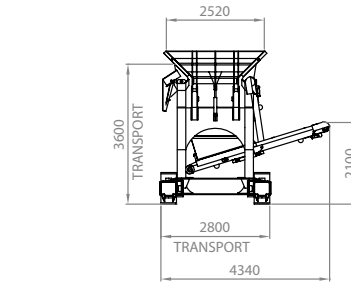
JQ1165

Tracked Jaw Crusher

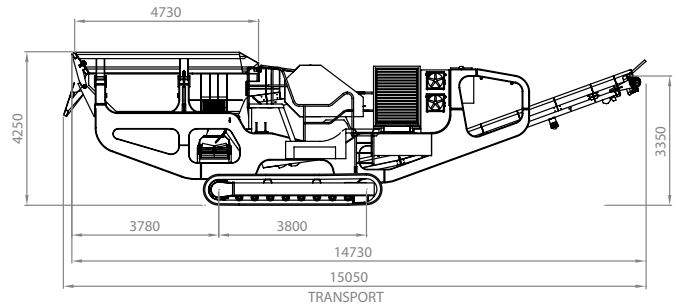


Quality Engineered
Excellence Since 1911

Parker Tracked Jaw 1100mm x 650mm (43" x 26")



TRANSPORT:
 WIDTH: 2800mm (9' 2")
 HEIGHT: 3600mm (11' 10")
 LENGTH: 15050mm (49' 4")



Vibrating Grizzly Feeder

Feeding the materials into the Jaw Crusher and / or fines chute is a vibrating grizzly feeder including:-

Vibrating Unit

Twin shaft exciter is mounted under the rear of the vibrating feeder. They are driven by a single hydraulic motor and produce a forward linear motion.

Pan

The feeder floor is fitted with Hardox 400 bolted replaceable wear liners. These extend the quality and life of the feeder.

Grizzly Section

The grizzly section is a double step grizzly that is easily removed.

Feed Hopper

The feed hopper is manufactured from Hardox 400. To raise and lower the wings, hydraulic cylinders are used to bring the travelling height down to a minimum and allow for maintenance to the vibrating feeder.

Track Frame

Manufactured from heavy-duty frame steel with 3.8m (150") longitudinal centres along with 400mm (16") wide tracks as a standard with an overall track width of 2.8m (110").

Forward Product Conveyor

The forward product conveyor or main conveyor is 1200mm (47") wide, troughed belt conveyor with a fixed tail section and discharge height of 3.3m (130"). The belt is driven via a hydraulic drive motor.

Side Discharge Conveyor

The side discharge dirt conveyor is hydraulic folding, 600mm (24") wide giving a discharge height of approximately 2.1m (83") to the top of the head drum. The belt is driven via a hydraulic drive motor.

Fines Transfer Chute

Fitted beneath the vibrating grizzly is the fines transfer chute. This chute transfers the material passing the grizzly bar setting onto either the forward product conveyor or the side discharge conveyor.

Magnet

A magnetic cross-belt separator is suspended over the on-plant product conveyor and is complete with permanent magnet and a hydraulic drive (optional).

Powerpack

CATERPILLAR model C9 engine with electronic governing and emission control powers the plant. Rated at 265kW (350hp) @ 2000 rpm designed to drive the jaw via a hydraulic hydrostatic power take off.

Jaw Crusher

The 1100mm x 650mm (43" x 26") Crusher provides the latest technology in Heavy Duty Crusher design that delivers high production, large feed opening, bolted mainframe and a cast swing jaw holder. The crusher is designed to handle hard rock, ores and demolition concrete for the quarrying and mining industries. Designed to compliment track installations, these rugged machines are manufactured with heavy-duty parts for optimum operation and long life. The crusher is fully hydraulic adjustable on setting.

Extra Heavy Duty Body

The Jaw Crusher body is a fully stress relieved all welded steel fabrication, with single steel walls and strong sided stiffening webs. The body is electrically welded to provide exceptional strength through-out including the side bearing housing. The bearing top-caps are easily removed to enable the jaw stock and shaft assembly to be lifted out complete.

Crushing Chamber

The jaws are a corrugated manganese jaw which are reversible, top to bottom. The swing jaw is a fully enclosed section of cast steel construction. The large diameter shaft is machined from high quality nickle-chrome forged steel with no threads or tapered bearing journals. Both the fixed and moving jaws are retained with a wedge locking system. The main frame and swing jaw holder are protected from wear due to the unique design of the jaw faces that completely protect the inlet and outlet points of the crushing chamber.

Options

Special features are available depending on the client's requirements. A conveyor weigh scale can be fitted along with the extended hopper wings for an improved size in feeding area.

NOTE: Capacities quoted are intended as a guideline only, and are based on a clean, dry graded continuous feed material (weighing 1600kg/m³ (100lb/ft³) and a S.G. of 2.7 average), which will readily enter the crusher feed opening without obstruction, with 100% greater than the jaw setting and 25% less than twice the jaw setting. Actual capacities can vary considerably from those given, due to the following application and operational factors: 1) **MATERIAL** - Friability & Toughness, 2) **FEED CONDITIONS** - Grading of feed size (Compliance with Euro STD), 3) **INSTALLATION** - Method of feeding, Removal of under size, [Operation at settings outside those stated should be referred to the works].

Parker Plant Limited, Viaduct Works, Canon Street, Leicester, LE4 6GH, United Kingdom

T: +44 (0) 116 266 5999 F: +44 (0) 116 266 4422 W: www.parkerplant.com E: sales@parkerplant.com

All reasonable steps have been taken to ensure the accuracy of this publication. However, due to our policy of continual product development, Parker Plant Limited reserve the right to change details without prior notice. All machines supplied in accordance with our standard conditions. Illustrations and photos may show optional equipment.