



KubitRanger

Mobile Impact Breakers



Quality Engineered
Excellence Since 1911

Parker 'KubitRanger' KA Series

The Parker 'KubitRanger KA' is a mobile crushing unit designed to operate in a secondary or tertiary role. Available in three sizes the mobile chassis offers easy transportation between locations and rapid on-site set up. Incorporating the well proven original Parker Kubitizer Impact breaker producing material outputs ranging from 40-200 tonne per hour, this unit is ideal for working in a composite crushing arrangement with Parker primary crushing plants, screens and conveyors.

Advantages:

- Feed material is broken along natural lines of weakness (the grain boundaries).
- Soft material is smashed, leaving a stronger aggregate product.
- Choice of operating speeds to increase fines production, when required.
- All wear components are readily replaced, when required.
- Wear resisting manganese steel hammers are fitted to the rotor (reversible for maximum wear life).
- Interchangeable wear resisting manganese steel breaker bars form the machine roof/secondary impact surface.
- Wear resisting alloy liners are fitted to remaining surfaces of the body-sectional design for maximum utilization.

1 - Material Feed:

Steel plate chute with internal baffle to distribute material across the width of the rotor.

2 - Liner Plates:

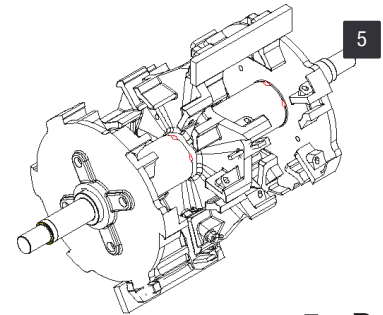
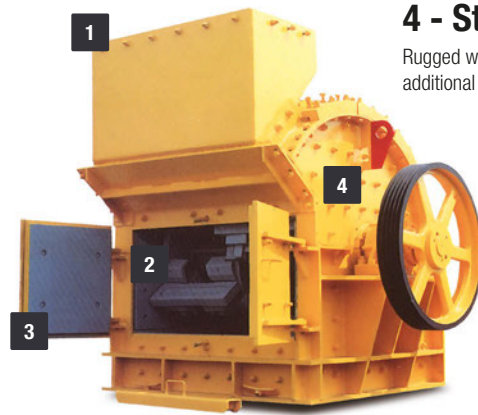
Fully renewable liner plates fitted throughout which protect the outer casing from wear.

3 - Access Doors:

Two large doors at the front of the machine give quick access to the interior, all replaceable liners can be replaced in situ, without workshop facilities.

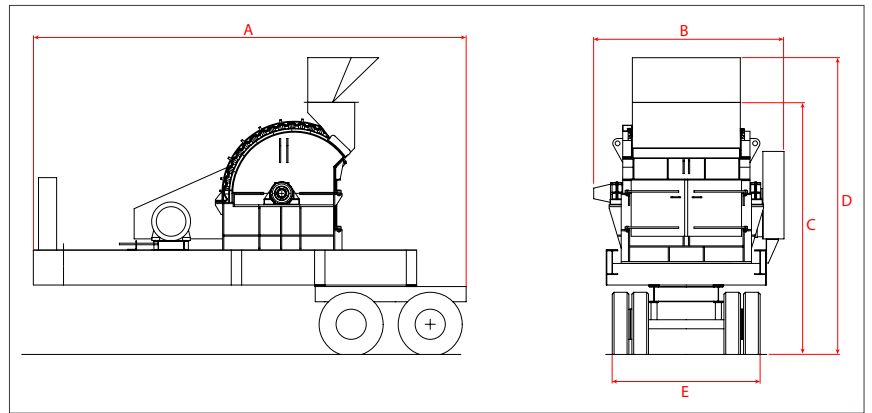
4 - Strength:

Rugged welded steel casing for additional strength and rigidity.



5 - Rotor:

Balanced rotor assembly, including high tensile machined shaft running in spherical roller bearings, and with Vee-grooved drive pulley.



Model	Largest Feed		Approx Capacity		Drive (kW)	No. Hammers	Speed Max/Min (rpm)	Weight (tonne)	Dimensions (mm)				
	Max Feed Size (mm)	Recommended Feed Size (mm)	t/h	m ³ /h					A	B	C	D	E
KA102	250	125	40-50	25-32	37	4	350-550	14.7	6040	2460	3830	4370	2410
KA103	250	125	80-100	50-64	75	8	350-550	23.5	6040	1860	3575	4115	2410
KA105	350	175	175-200	110-125	150	12	280-450	28.5	7170	3150	4175	4920	--

NOTE: Capacities quoted are intended as a guideline only, and are based on a clean, dry graded continuous feed material (weighing 1600kg/m³ (100lb/ft³) and a S.G. of 2.7 average), which will readily enter the crusher feed opening without obstruction. Actual capacities can vary considerably from those given, due to the following application and operational factors: 1) **MATERIAL** - Friability & Toughness, 2) **FEED CONDITIONS** - Grading of feed size (Compliance with Euro STD), 3) **INSTALLATION** - Method of feeding, Removal of under size. [Operation at settings outside those stated should be referred to the works].

Parker Plant Limited, Viaduct Works, Canon Street, Leicester, LE4 6GH, United Kingdom

T: +44 (0) 116 266 5999 F: +44 (0) 116 261 0812 W: www.parkerplant.com E: sales@parkerplant.com

All reasonable steps have been taken to ensure the accuracy of this publication. However, due to our policy of continual product development, Parker Plant Limited reserve the right to change details without prior notice. All machines supplied in accordance with our standard conditions. Illustrations and photos may show optional equipment. All rights reserved.